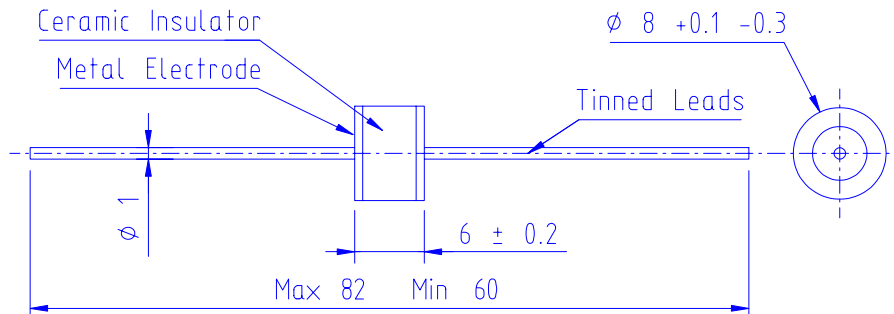


## Sparctube™ ST 0840 BLX OB

SWITCHING SPARK GAP 840V: JENSEN 8289/1, preliminary data.



### Initial values:

- Static breakdown voltage (@800 V/s)<sup>1)</sup>
  - First ignition values < 1100 V
  - Following ignition values 756 V...941 V

### Electrical life:

- Minimum number of switchings 2×10<sup>5</sup>
- Peak current 450 A approx.
- Maximum switching frequency 500 Hz
- Breakdown characteristics (@1000V limit)
  - First ignition values ≤ 1100 V
  - Delay time < 60 ms
  - Following ignition values 714 V...966 V

### General data:

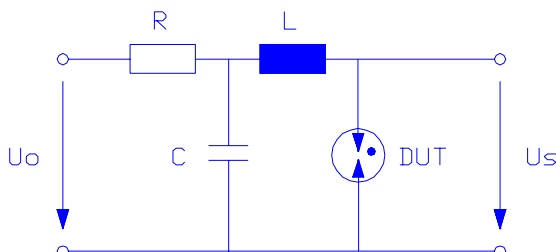
- Insulation resistance (@100 Vdc) >100 M Ω
- Maximum static break down voltage (@100V/ms) 1300 V
- Share of early ignition values (< 714 V) < 1 %
- Breakdown time < 15 ns
- Residual voltage (@25 ns) < 300 V
- Capacitance < 1 pF
- Operating temperature range<sup>3)</sup> -40°C to 160°C
- Storage temperature range -65°C to 125°C
- Weight 2.3 g approx.
- Testing 100%

- Marking:  ST 0840 wwy (week & year of prod.)

- Ordering code: ST 0840 BLX OB  
X = B for bulk, X = T for tape and reel.

### Test circuit

U <sub>0</sub>	1000-1500V <sup>2)</sup>
R	(Note 2)
C	100 nF
L	0.5 μH
DUT	Device under test
U <sub>s</sub>	Breakdown voltages



Note 1: @ delivery AQL 0,65 level II, DIN ISO 2859

Note 2: U<sub>0</sub> and R are set to provide suitable conditions for different measurements.

Note 3: Distribution of switchings: Maximum 20 % above 125 °C and 20% below 20 °C .

Doc.no.: #9391 File: ST 0840 BLX OB.DOC Date: 2004 04 22 Rev.: PREL2 Prepared: JN

MAILING ADDRESS:  
Box 565  
SE-192 05 Sollentuna  
Sweden

VISITING ADDRESS:  
Rudbecks väg 143  
Sollentuna  
Sweden

TEL:  
+46 8 92 88 95  
FAX:  
+46 8 96 33 15

FINANCE INFO:  
VAT No: SE556605952201  
IBAN: SE025000000053741010723  
BIC: ESSESESS

INTERNET:  
www.jensendevices.com  
info@jensendevices.com