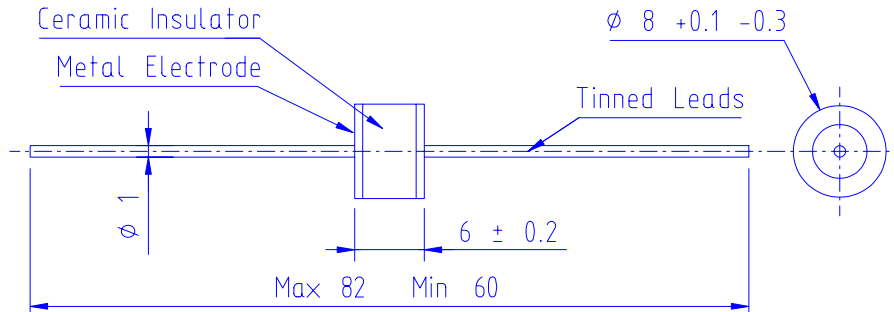


Sparctube™ ST 0400 ALX SG

SWITCHING SPARK GAP 400V: JENSEN 8294/1, preliminary data.




Initial values:

- Static breakdown voltage (@800 V/s)¹⁾
 - First ignition values < 500 V
 - Following ignition values 400 V ± 15 %

Electrical life:

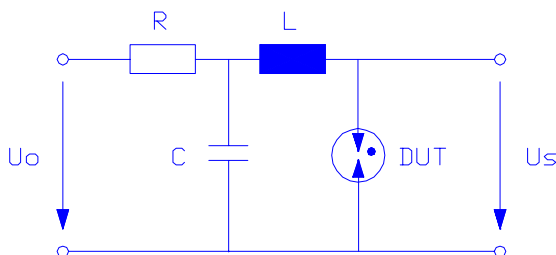
- Minimum number of switchings 2×10⁵
- Peak current 500 A approx.
- Maximum switching frequency 200 Hz
- Breakdown characteristics (@500V limit)
 - First ignition values ≤ 500 V
 - Delay time < 60 ms
 - Following ignition values 400 V ± 20 %

General data:

- Insulation resistance (@100 Vdc) >100 M Ω
- Share of early ignition values (<320V) < 1 %
- Breakdown time < 50 ns
- Capacitance < 1 pF
- Operating temperature range³⁾ -40°C to 160°C
- Storage temperature range -65°C to 125°C
- Weight 2.3 g approx.
- Testing 100%
- Marking:  ST 0400 wwyy (week & year of prod.)
- Ordering code: ST 0400 ALX SG
 - X = B for bulk, X = T for tape and reel.

Test circuit

- U₀ 500 V
- R (Note 2)
- C 680 nF
- L 2 μH
- DUT Device under test
- U_s Breakdown voltages



Note 1: @ delivery AQL 0,65 level II, DIN ISO 2859

Note 2: U₀ and R are set to provide suitable conditions for different measurements.

Note 3: Distribution of switchings: Maximum 20 % above 125 °C and 20% below 20 °C .