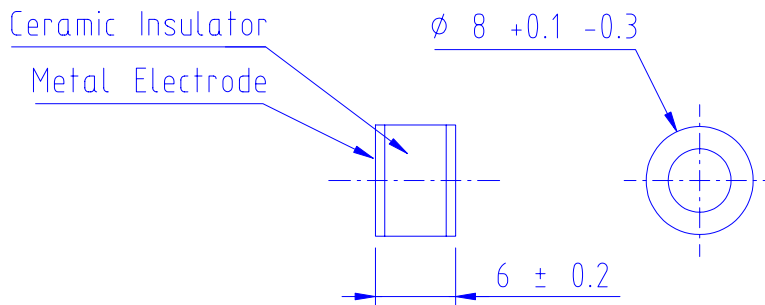


## Sparctube™ ST 0800 BCX STD

SWITCHING SPARK GAP 800V: JENSEN 8297, preliminary data.



### Initial values:

- Static breakdown voltage (@800 V/s)<sup>1)</sup>
  - First ignition values < 950 V
  - Following ignition values 800 V ± 12 %

### Electrical life:

- Minimum number of switchings 2×10<sup>5</sup>
- Peak current 450 A approx.
- Maximum switching frequency 500 Hz
- Breakdown characteristics (@1000V limit)
  - First ignition values ≤ 1000 V
  - Delay time < 60 ms
  - Following ignition values 800 V ± 15 %

### General data:

- Insulation resistance (@100 Vdc) >100 M Ω
- Maximum static break down voltage (@100V/ms) 1300 V
- Share of early ignition values (<680V) < 1 %
- Breakdown time < 50 ns
- Residual voltage (@50 ns) < 300 V
- Capacitance < 1 pF
- Operating temperature range<sup>3)</sup> -40°C to 160°C
- Storage temperature range -65°C to 125°C
- Weight 2.3 g approx.
- Testing 100%

- Marking:  ST 0800 wwy (week & year of prod.)

- Ordering code: ST 0800 BCX STD  
X = B for bulk, X = T for tape and reel.

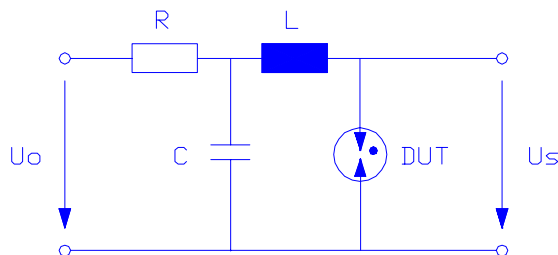
### Test circuit

- U<sub>0</sub> 1000-1500V<sup>2)</sup>
- R (Note 2)
- C 100 nF
- L 0.5 μH
- DUT Device under test
- U<sub>s</sub> Breakdown voltages

Note 1: @ delivery AQL 0,65 level II, DIN ISO 2859

Note 2: U<sub>0</sub> and R are set to provide suitable conditions for different measurements.

Note 3: Distribution of switchings: Maximum 20 % above 125 °C and 20% below 20 °C .



Doc.no.: #9257 File: ST 0800 BCX STD.DOC Date: 2004 02 29 Rev.: PREL2 Prepared: JN

MAILING ADDRESS:  
Box 565  
SE-192 05 Sollentuna  
Sweden

VISITING ADDRESS:  
Rudbecks väg 143  
Sollentuna  
Sweden

TEL:  
+46 8 92 88 95  
FAX:  
+46 8 96 33 15

FINANCE INFO:  
VAT No: SE556605952201  
IBAN: SE0250000000053741010723  
BIC: ESSESESS

INTERNET:  
www.jensendevices.com  
info@jensendevices.com