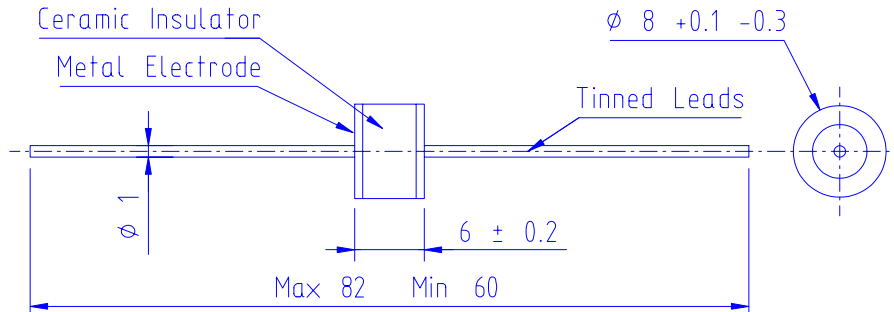


Sparctube™ ST 0800 BLX SG

SWITCHING SPARK GAP 800V: JENSEN 8299/1, preliminary data.



Initial values:

- Static breakdown voltage (@800 V/s)¹⁾
 - First ignition values < 950 V
 - Following ignition values 800 V ± 12 %

Electrical life:

- Minimum number of switchings 2×10⁵
- Peak current 450 A approx.
- Maximum switching frequency 500 Hz
- Breakdown characteristics (@1000V limit)
 - First ignition values ≤ 1000 V
 - Delay time < 60 ms
 - Following ignition values 800 V ± 15 %

General data:

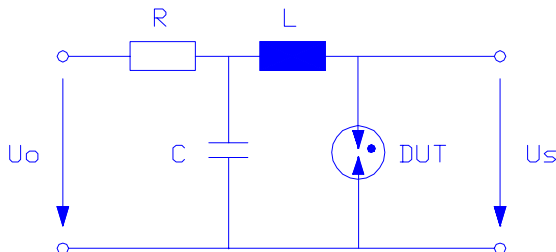
- Insulation resistance (@100 Vdc) >100 M Ω
- Share of early ignition values (<680V) < 1 %
- Breakdown time < 50 ns
- Residual voltage (@50 ns) < 300 V
- Capacitance < 1 pF
- Operating temperature range³⁾ -40°C to 160°C
- Storage temperature range -65°C to 125°C
- Weight 2.3 g approx.
- Testing 100%

- Marking:  ST 0800 wwy (week & year of prod.)

- Ordering code: ST 0800 BLX SG
X = B for bulk, X = T for tape and reel.

Test circuit

U ₀	1000 V
R	(Note 2)
C	470 nF
L	0,5 μH
DUT	Device under test
U _s	Breakdown voltages



Note 1: @ delivery AQL 0,65 level II, DIN ISO 2859

Note 2: U₀ and R are set to provide suitable conditions for different measurements.

Note 3: Distribution of switchings: Maximum 20 % above 125 °C and 20% below 20 °C .