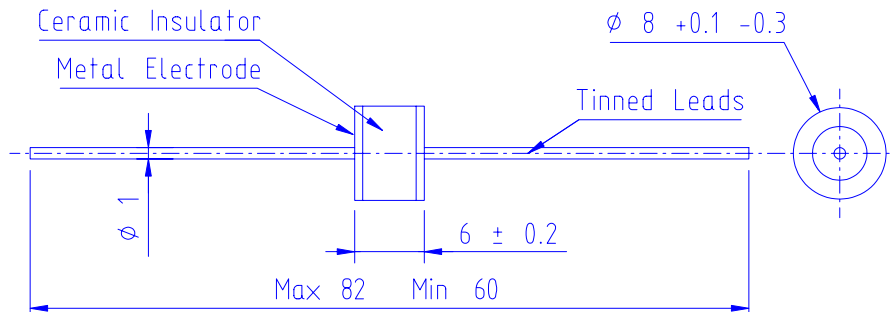


## Sparctube™ ST 0600 BLX STD

SWITCHING SPARK GAP 600V: JENSEN 8308/1, preliminary data.




### Initial values:

- Static breakdown voltage (@800 V/s)<sup>1)</sup>
  - First ignition values < 750 V
  - Following ignition values 600 V ± 12 %

### Electrical life:

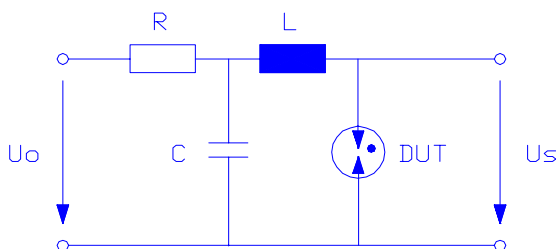
- Minimum number of switchings 2×10<sup>5</sup>
- Peak current 750 A approx.
- Maximum switching frequency 200 Hz
- Breakdown characteristics (@750V limit)
  - First ignition values ≤ 750 V
  - Delay time < 90 ms
  - Following ignition values 600 V ± 15 %

### General data:

- Insulation resistance (@100 Vdc) >100 M Ω
- Share of early ignition values (<527 V) < 1 %
- Breakdown time < 50 ns
- Capacitance < 1 pF
- Operating temperature range<sup>3)</sup> -40°C to 160°C
- Storage temperature range -65°C to 125°C
- Weight 2.3 g approx.
- Testing 100%
- Marking:  ST 0600 wwyy (week & year of prod.)
- Ordering code: ST 0600 BLX STD
  - X = B for bulk, X = T for tape and reel.

### Test circuit

- U<sub>0</sub> 750 V
- R (Note 2)
- C 470 nF
- L 0,5 μH
- DUT Device under test
- U<sub>s</sub> Breakdown voltages



Note 1: @ delivery AQL 0,65 level II, DIN ISO 2859

Note 2: U<sub>0</sub> and R are set to provide suitable conditions for different measurements.

Note 3: Distribution of switchings: Maximum 20 % above 125 °C and 20% below 20 °C .